

Nominal data

| | | |
|--------------------------|-------------------|--------------|
| Type | 512 F | |
| Nominal voltage | VDC | 12 |
| Nominal voltage range | VDC | 10.8 .. 13.2 |
| Speed | min ⁻¹ | 5000 |
| Power input | W | 0.8 |
| Min. ambient temperature | °C | -20 |
| Max. ambient temperature | °C | 70 |
| Air flow | m ³ /h | 20 |
| Sound power level | B | 4.5 |
| Sound pressure level | dB(A) | 30 |

ml = Max. load · me = Max. efficiency · fa = Running at free air · cs = Customer specs · cu = Customer unit
Subject to alterations

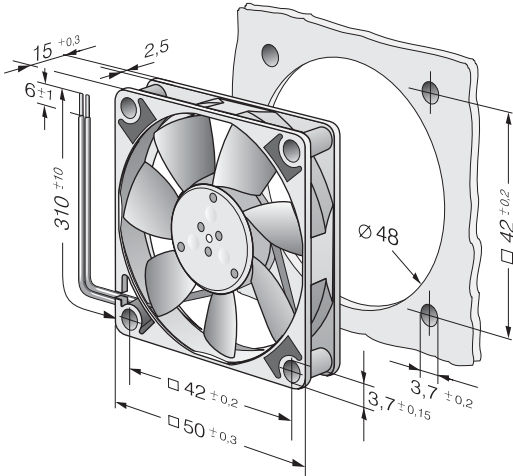
Technical features

| | |
|--------------------------------|--|
| Mass | 0.027 kg |
| Dimensions | 50 x 50 x 15 mm |
| Material of impeller | Fiberglass-reinforced PA plastic |
| Housing material | Fiberglass-reinforced PBT plastic |
| Direction of air flow | Air exhaust over bars |
| Direction of rotation | Left, looking at rotor |
| Bearing | Sintec sleeve bearing |
| Lifetime L10 at 20 °C | 50000 h |
| Lifetime L10 at 60 °C | 20000 h |
| Connection line | Single strands AWG 28, TR 64, bared and tin-plated. |
| Motor protection | Protected against reverse polarity and locking. |
| Locked-rotor protection | Impedance protection |
| Approval | VDE, CSA, UL, CE |
| Option | Special options: Speed signal Go / No-go alarm PWM control input Moisture protection |

512 F

DC axial compact fan

Product drawing



Charts: Air flow

